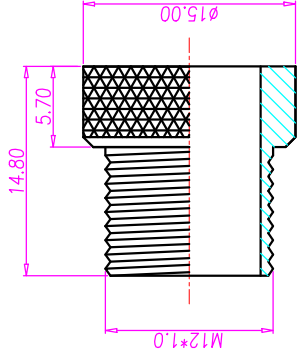
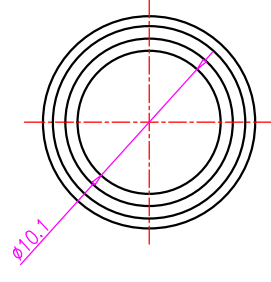
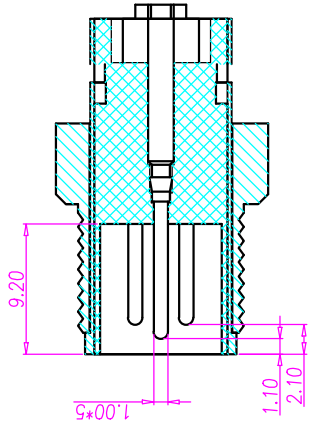
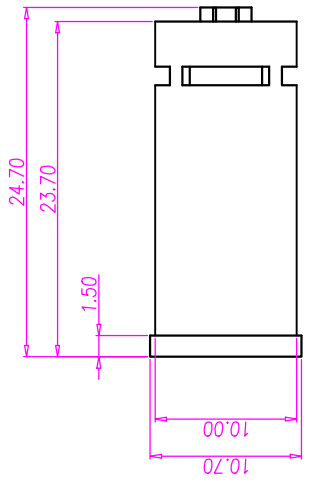
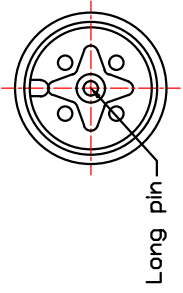


REV.	DESCRIPTION	APPROVED BY	DATE	ECN NO.
A	RELEASE	KUNG	8/7/13'	
B				
C				

\* SUBJECT TO CHANGE WITHOUT NOTICE



1. MATERIAL :
  - 1-1. HOUSING: PBT UL94V-0; COLOR: BLACK.
  - 1-2. CONTACT: BRASS
  - 1-3. NUT: BRASS
  - 1-4. SHELL : BRASS
2. FINISH :
  - 2-1. CONTACT : 10 MICRO INCHES MIN. GOLD PLATED  
UNDER PLATE : NICKEL
  - 2-2. NUT : NICKEL PLATED.
  - 2-3. SHELL : NICKEL PLATED.
3. ELECTRICAL SPECIFICATION :
  - 3-1. Rated current : 5A
  - 3-2. Rated Voltage :125V
  - 3-3. Water proof : IPX7
4. Environmental :
  - 4-1. Operation Temperature : -20 ℃~85℃

DRAWN	Ku Chou	APP'D	KUNG	UNIT	TOLERANCE	.x ±0.20 .xx ±0.10 .xxx ±0.05 .xxxx ±0.03 ANGULA ±1°	TITLE	SHEET
	CHK'D						Erily Suen	M12 SPIN (M) SHIELDED WATERPROOF CONNECTOR FOR CABLE
				SCALE			PART NO.	ANGULA
							DWG NO.	A
							N-05M2-82-11	
							JKL TECHNOLOGY CO., LTD.	